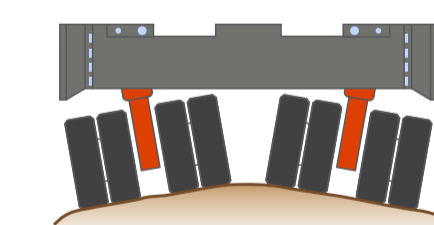
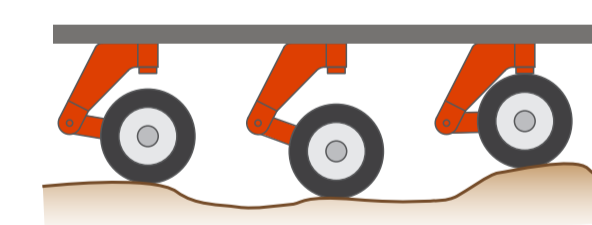
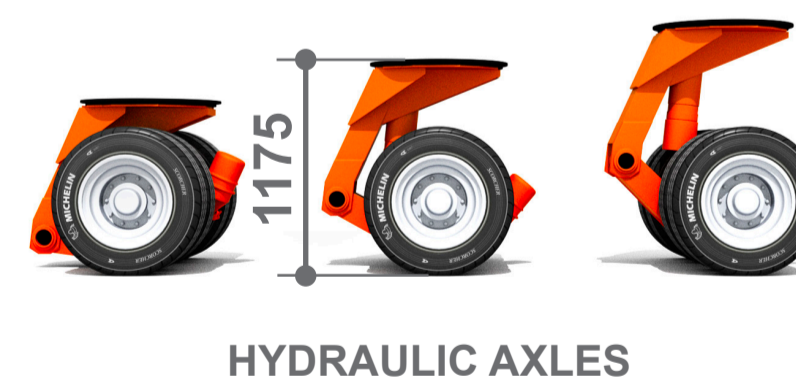
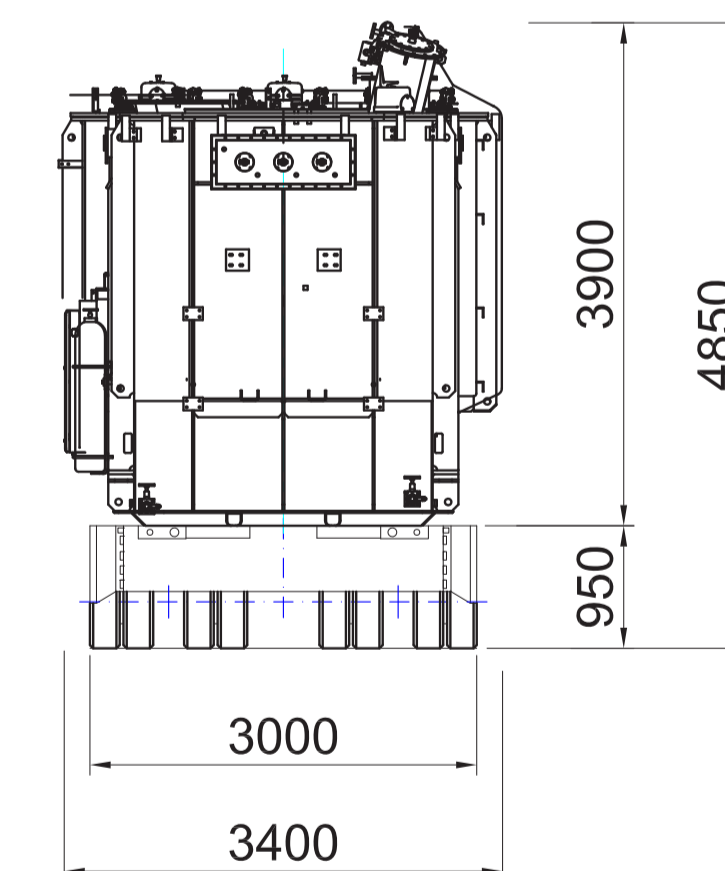


7,50 tf 7,50 tf 22,00 tf 7,62 tf x 12 axles = 91,50 tf



· STABILITY · SAFE · TECNOLOGY



[HTTPS://ROBSONBEZERRA.COM](https://robsonbezerra.com)

DESCRIPTION	WEIGHT
TRUCK	12,00 tf
TRAILER	41,50 tf
EQUIP. WEIGHT	53,50 tf
PAY LOAD	75,00 tf
TOTAL WEIGHT	128,50 tf

EQUIPMENT TO BE LOADED			
LENGTH	WIDTH	HEIGHT	WEIGHT
7200	3400	3900	75,00 tf
EQUIPMENT TRUCK + NECK + TRAILER 12 AXLES			
TOTAL LENGTH	TOTAL WIDTH	TOTAL HEIGHT	TOTAL WEIGHT
29217	3400	4850	128,50 tf

FORMAT	A1	UN.	mm	SCALE	-	DATE	01/15/2022
CARGO TO BE LOADED							
TRANSFORMER							
OBS.: ----							
NUMBER				PAGE		REV.	
RB-P-001-01-2022				1/1		0	